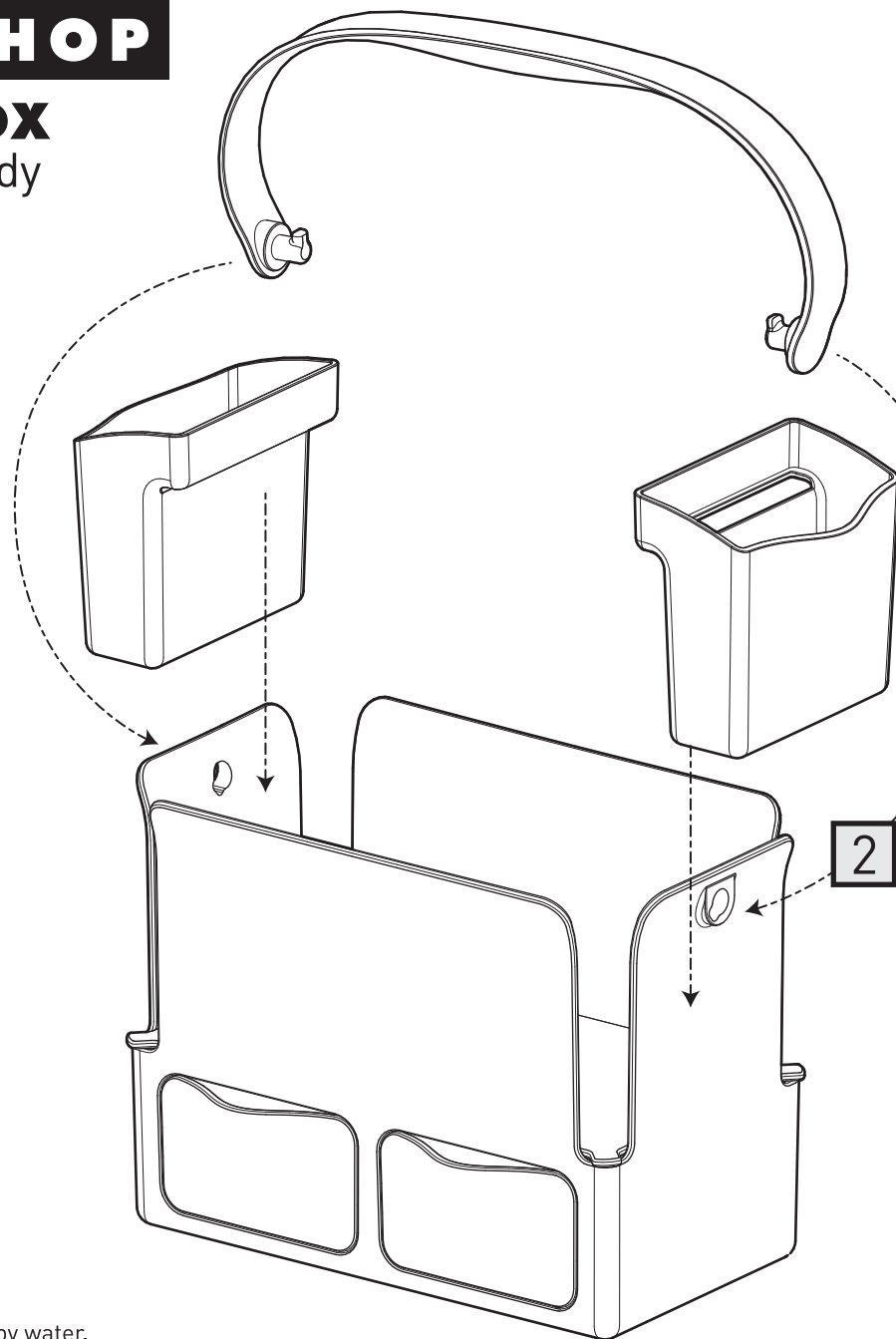


SKIP*HOP

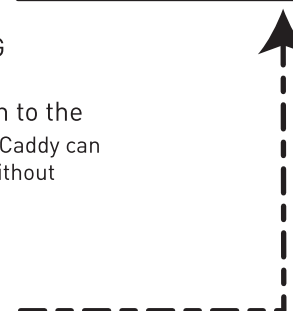
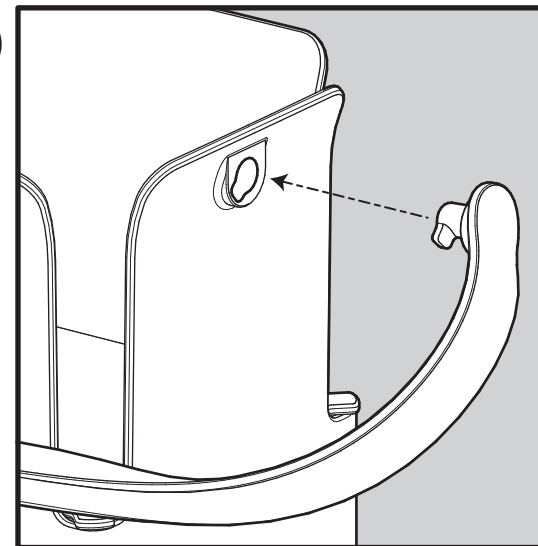
TOOLBOX diaper caddy



How To Assemble

- 1** BEFORE ATTACHING HANDLE.
Slide side pockets on to the diaper caddy. (NOTE: Caddy can be assembled with or without pockets)
- 2** Rotate caddy handle as shown in visual (A). Attach caddy handle by aligning notches on each end of the handle with notch holes on each side of the diaper caddy. Press in to secure.

(A)



Wash in warm soapy water.

©2006 Skip Hop, New York City
www.skiphop.com
Made in China

Patents pending in the US
and/or other countries